
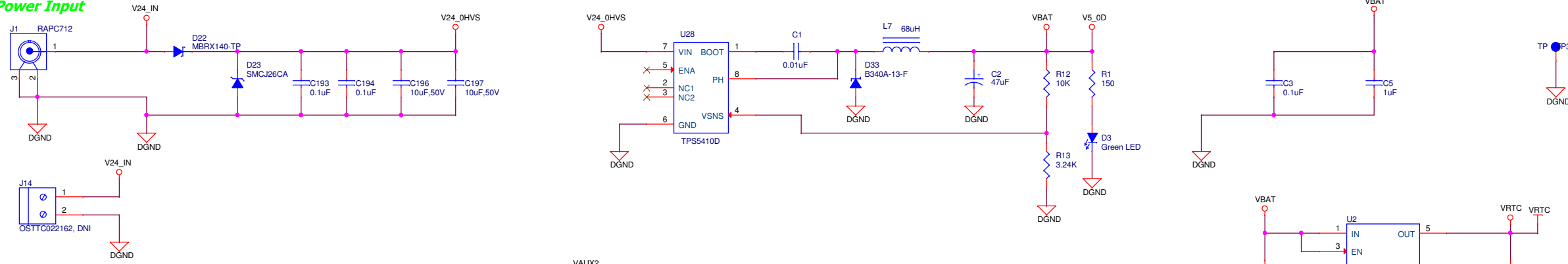


REV	Description	DATE	BY
A	Alpha release	10/28/11	CCO
A2	Beta release	12/20/11	CCO

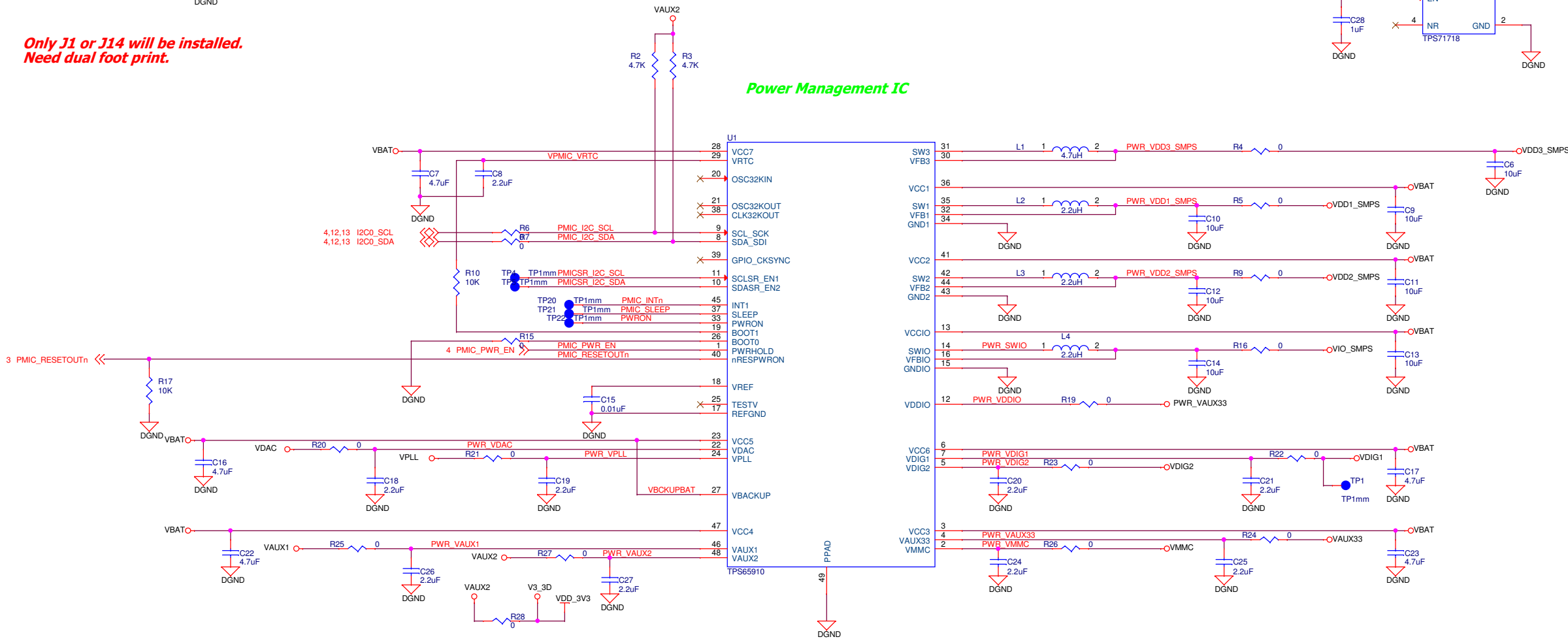
ARM MPU	Texas Instruments, Inc.			
	ARM MPU Business Unit 12500 TI Blvd Dallas, TX 75243			
	AM335X 15X15 ICE BOARD			
	Title			
Size	Document Number	Modified By:	Rev	
B	AM335X_15X15_ICE.dsn	CCO	A2	
Date: Tuesday, December 20, 2011			Sheet: 1	of 14

Main Power Input

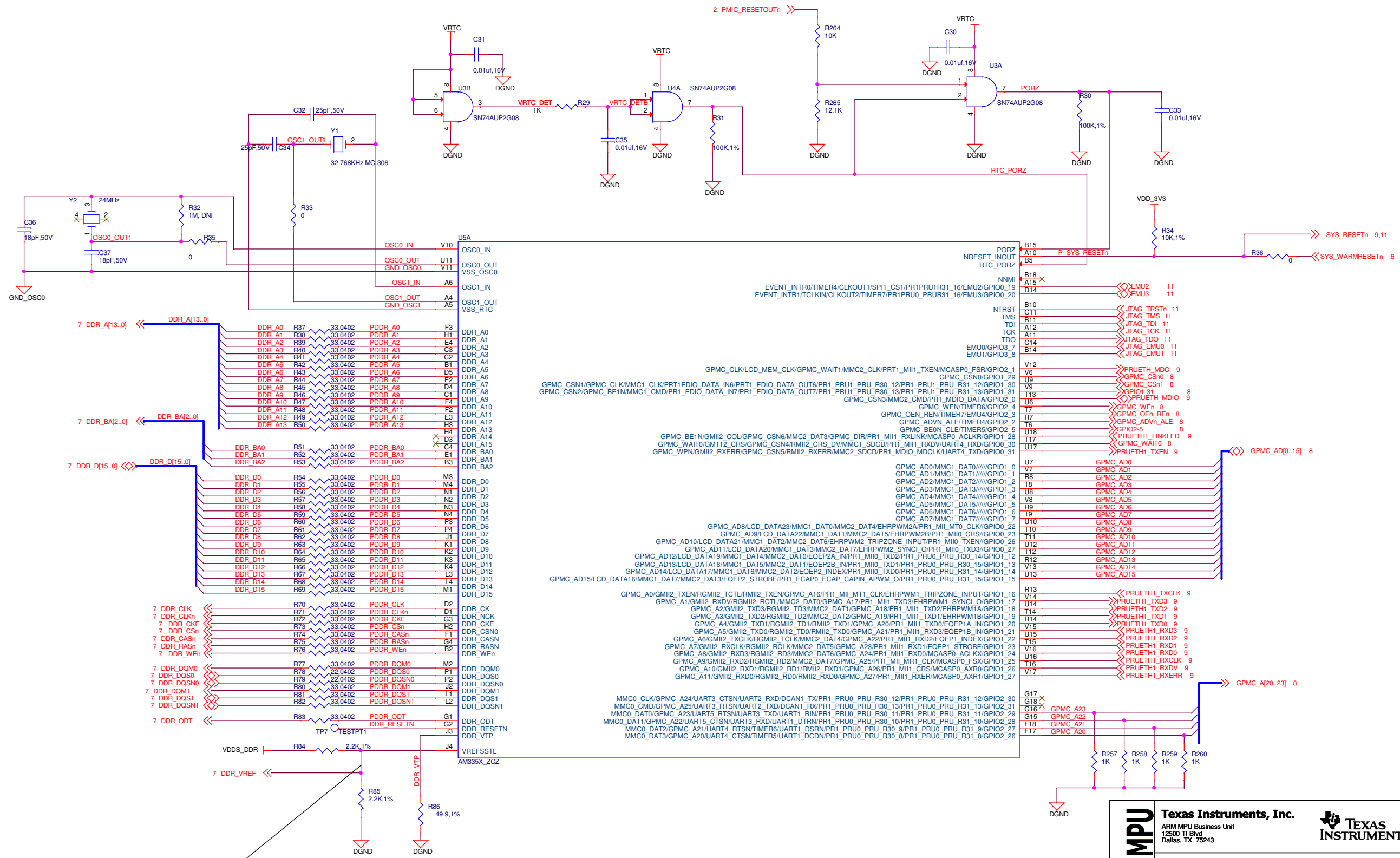


**Only J1 or J14 will be installed.
Need dual foot print.**

Power Management IC



ARM MPU	Texas Instruments, Inc.		TEXAS INSTRUMENTS	
	ARM MPU Business Unit 12500 TI Blvd Dallas, TX 75243			
	AM335X 15X15 ICE BOARD Power Management			
Size C	Document Number AM335X_15X15_ICE.dsn	Modified By: CCO	Rev A2	Date: Tuesday, December 20, 2011
		Sheet: 2		of 14



- 1) LOCATE THESE RESISTORS AS CLOSE TO EACH OTHER AS POSSIBLE.
- 2) KEEP CONNECTIONS ON THE RESISTORS TO GND AND VDD5_DDR AS SHORT AS POSSIBLE.
- 3) PLACE THE RESISTOR PAIR EQUAL DISTANCE BETWEEN PROCESSOR AND THE TWO DDR MEMORY DEVICES.
- 4) ISOLATE THIS TRACE FROM OTHER SIGNALS.

ARM MPU

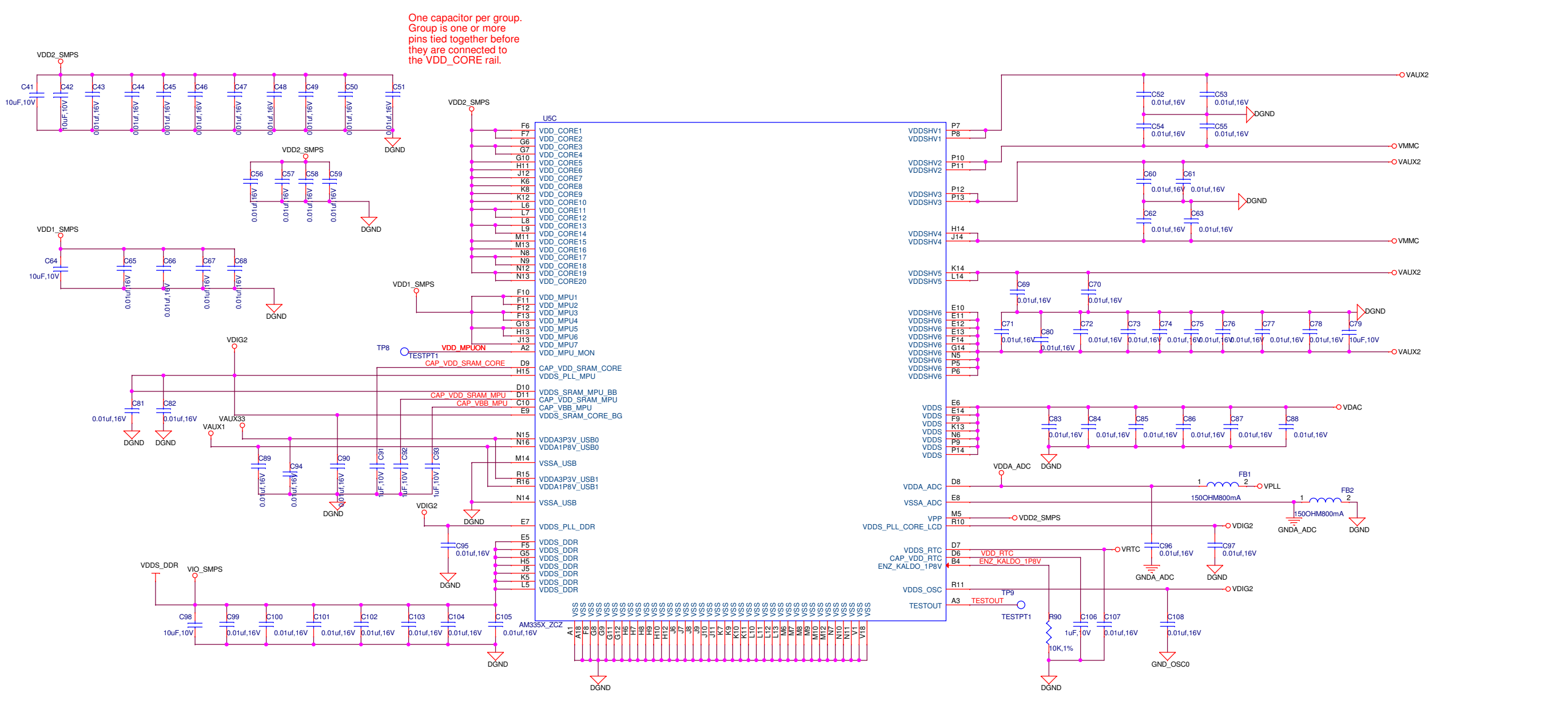
Texas Instruments, Inc.

ARM MPU Business Unit
12500 TI Blvd
Dallas, TX 75243

TEXAS INSTRUMENTS

AM335X 15x15 ICE BOARD
AM335X 1 OF 3

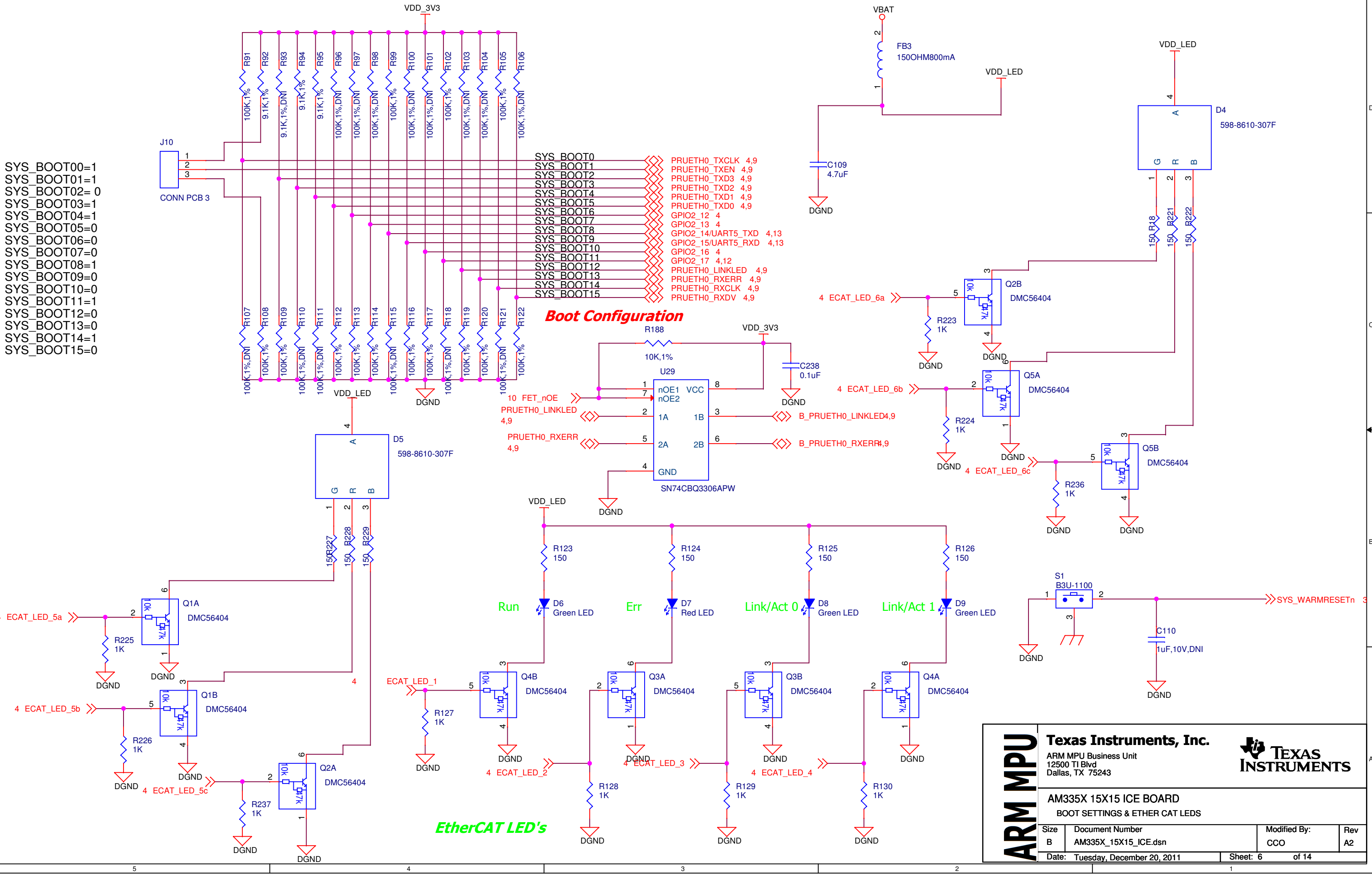
Size	Document Number	Modified By:	Rev
C	AM335X_15x15_ICE.dsn	CCO	A2
Date:	Tuesday, December 20, 2011	Sheet:	3 of 14



One capacitor per group.
Group is one or more pins tied together before they are connected to the VDD_CORE rail.

ARM MPU	Texas Instruments, Inc.			
	ARM MPU Business Unit 12500 TI Blvd Dallas, TX 75243			
	AM335X 15X15 ICE BOARD AM335X 3 OF 3			
	Size C	Document Number AM335X_15X15_ICE.dsn	Modified By: CCO	Rev A2
Date: Tuesday, December 20, 2011	Sheet: 5 of 14			

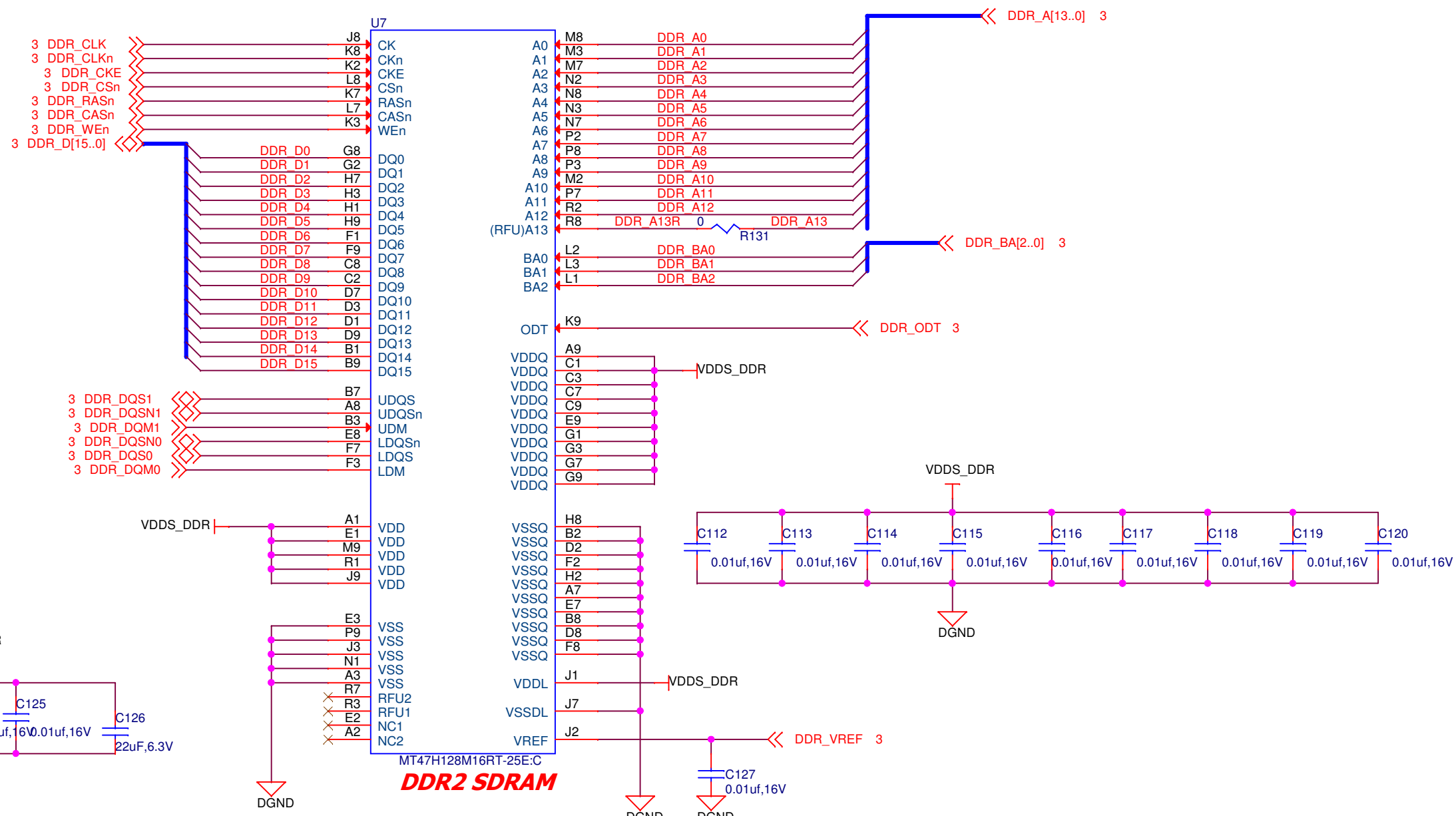
SYS_BOOT0=1
 SYS_BOOT01=1
 SYS_BOOT02=0
 SYS_BOOT03=1
 SYS_BOOT04=1
 SYS_BOOT05=0
 SYS_BOOT06=0
 SYS_BOOT07=0
 SYS_BOOT08=1
 SYS_BOOT09=0
 SYS_BOOT10=0
 SYS_BOOT11=1
 SYS_BOOT12=0
 SYS_BOOT13=0
 SYS_BOOT14=1
 SYS_BOOT15=0



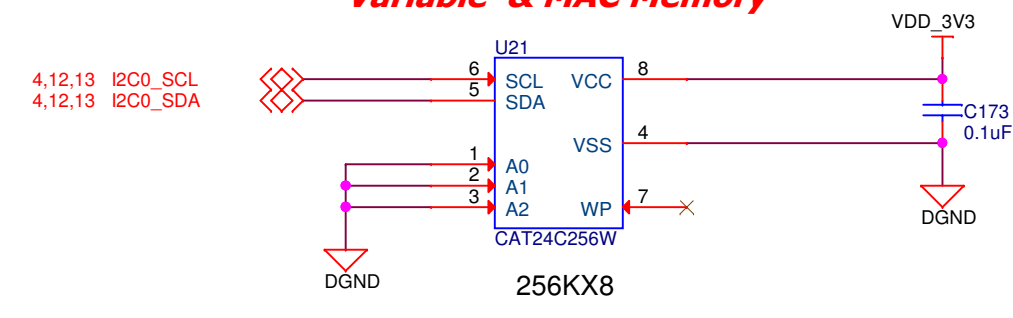
Boot Configuration

- PRUETH0_TXCLK 4,9
- PRUETH0_TXEN 4,9
- PRUETH0_TXD3 4,9
- PRUETH0_TXD2 4,9
- PRUETH0_TXD1 4,9
- PRUETH0_TXD0 4,9
- GPIO2_12 4
- GPIO2_13 4
- GPIO2_14/UART5_TXD 4,13
- GPIO2_15/UART5_RXD 4,13
- GPIO2_16 4
- GPIO2_17 4,12
- PRUETH0_LINKLED 4,9
- PRUETH0_RXERR 4,9
- PRUETH0_RXCLK 4,9
- PRUETH0_RXDV 4,9

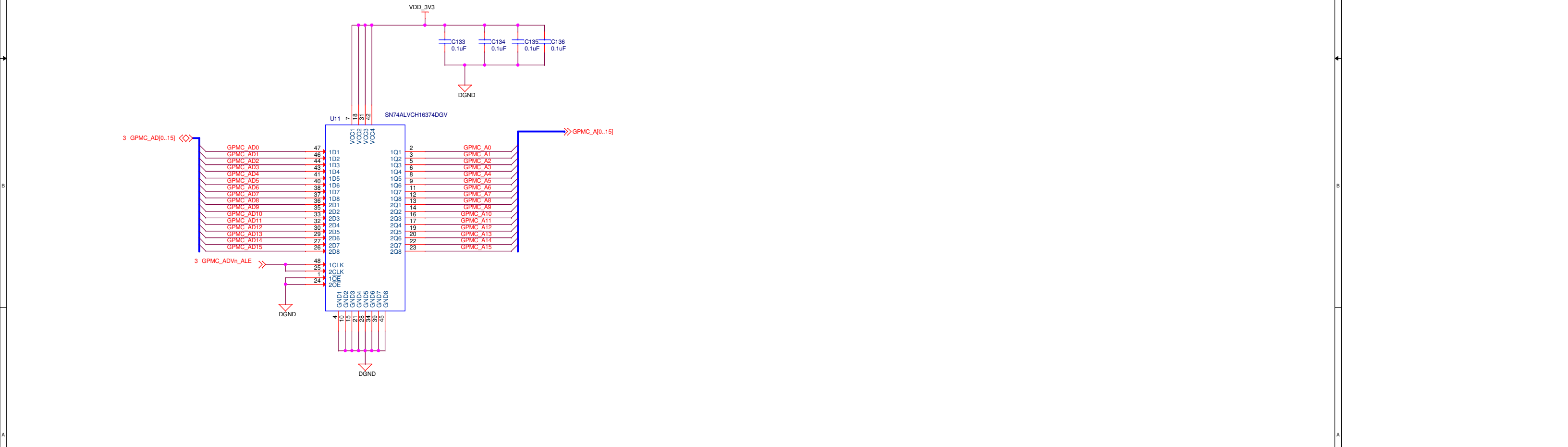
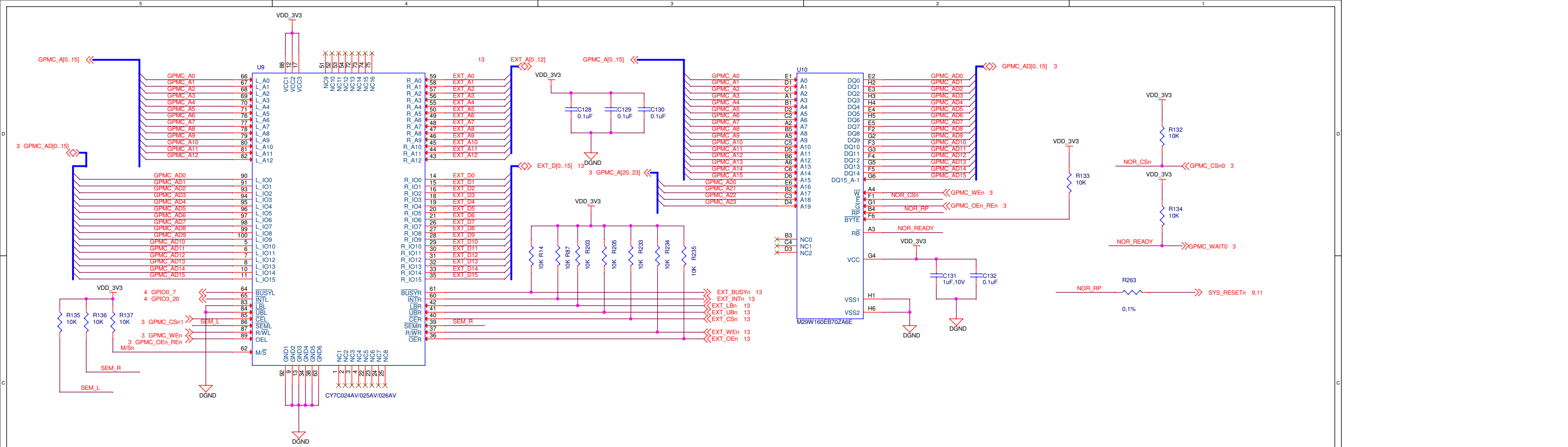
ARM MPU	Texas Instruments, Inc.			
	ARM MPU Business Unit 12500 TI Blvd Dallas, TX 75243			
	AM335X 15X15 ICE BOARD			
	BOOT SETTINGS & ETHER CAT LED'S			
Size B	Document Number AM335X_15X15_ICE.dsn	Modified By: CCO	Rev A2	
Date: Tuesday, December 20, 2011		Sheet: 6 of 14		



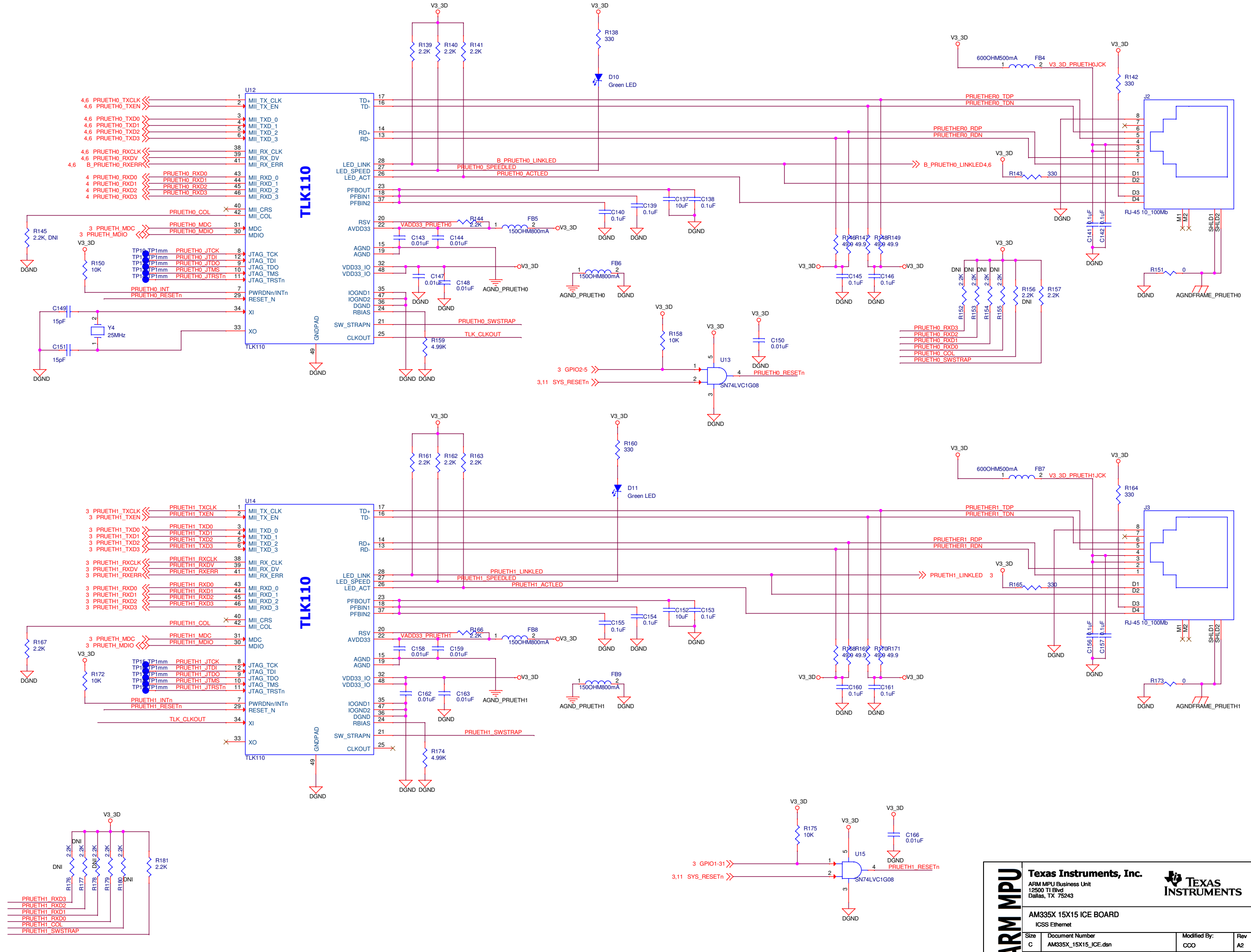
Variable & MAC Memory



ARM MPU	Texas Instruments, Inc.			
	ARM MPU Business Unit 12500 TI Blvd Dallas, TX 75243			
	AM335X 15X15 ICE BOARD			
	DDR2 INTERFACE			
Size B	Document Number AM335X_15X15_ICE.dsn	Modified By: CCO	Rev A2	
Date: Tuesday, December 20, 2011		Sheet: 7 of 14		



ARM MPU	Texas Instruments, Inc.			
	ARM MPU Business Unit 12500 TI Blvd Dallas, TX 75243			
	AM335X 15X15 ICE BOARD			
	NOR FLASH & DPRAM INTERFACE			
Size	Document Number	Modified By:	Rev	
C	AM335X_15X15_ICE.dsn	CCO	A2	
Date:	Tuesday, December 20, 2011	Sheet:	6	of 14

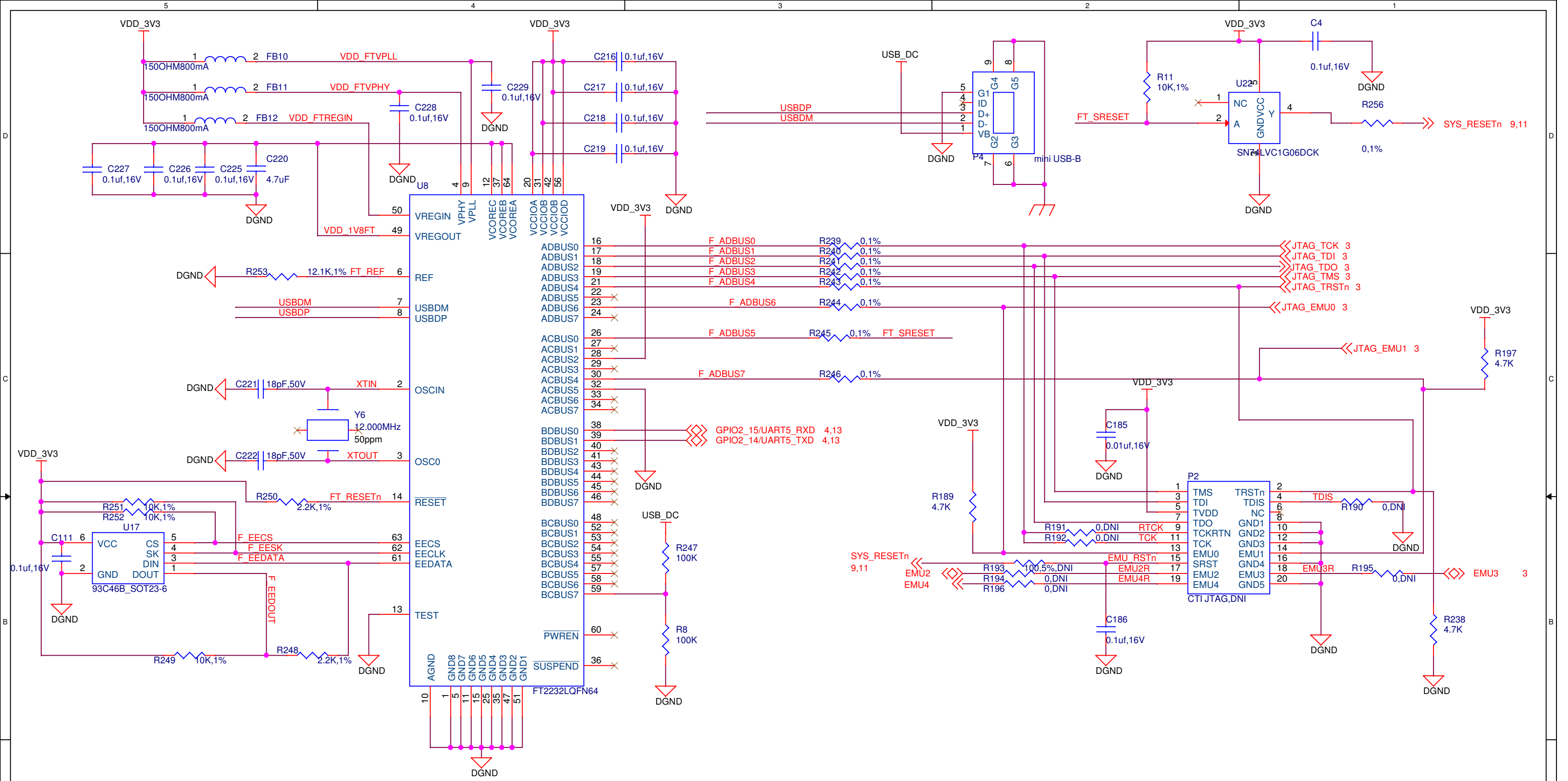


ARM MPU

Texas Instruments, Inc.
 ARM MPU Business Unit
 12500 TI Blvd
 Dallas, TX 75243

AM335X 15X15 ICE BOARD
 ICSS Ethernet

Size	Document Number	Modified By:	Rev
C	AM335X_15X15_ICE.dsn	CCO	A2
Date:	Tuesday, December 20, 2011	Sheet: 9	of 14

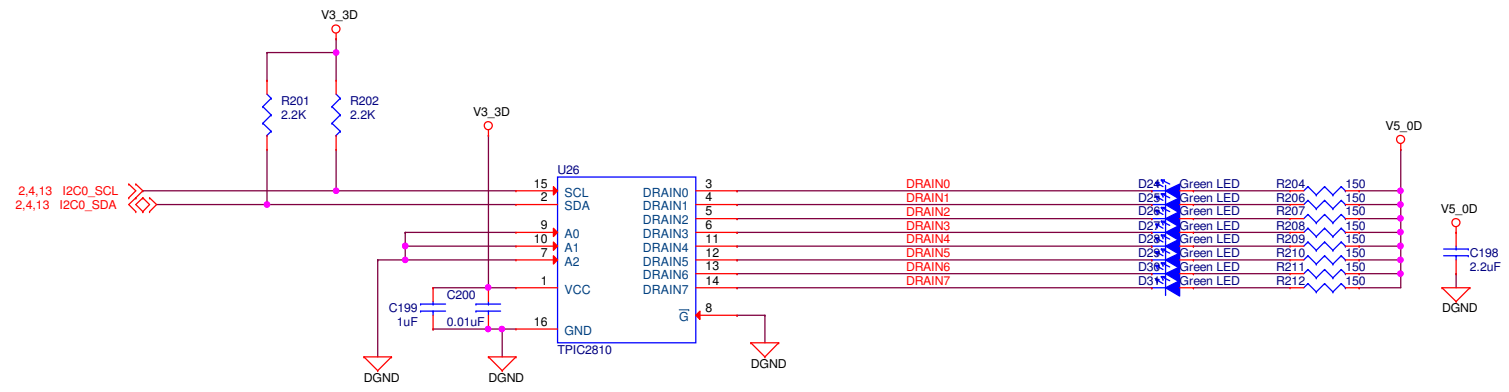
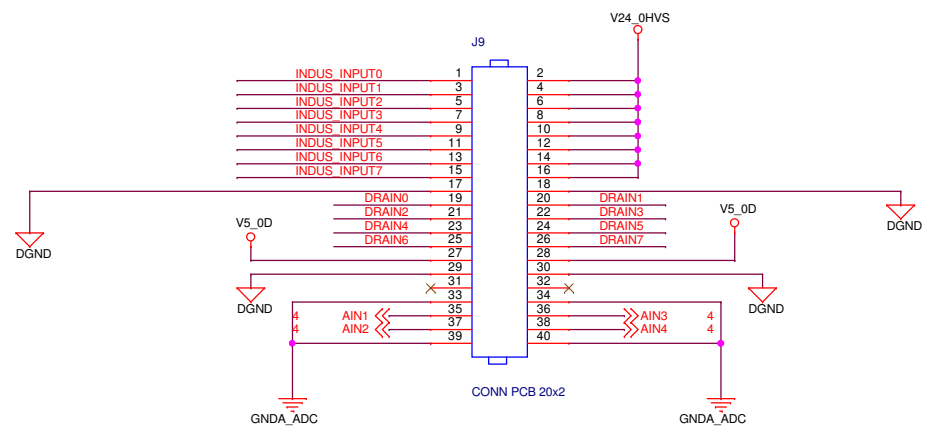
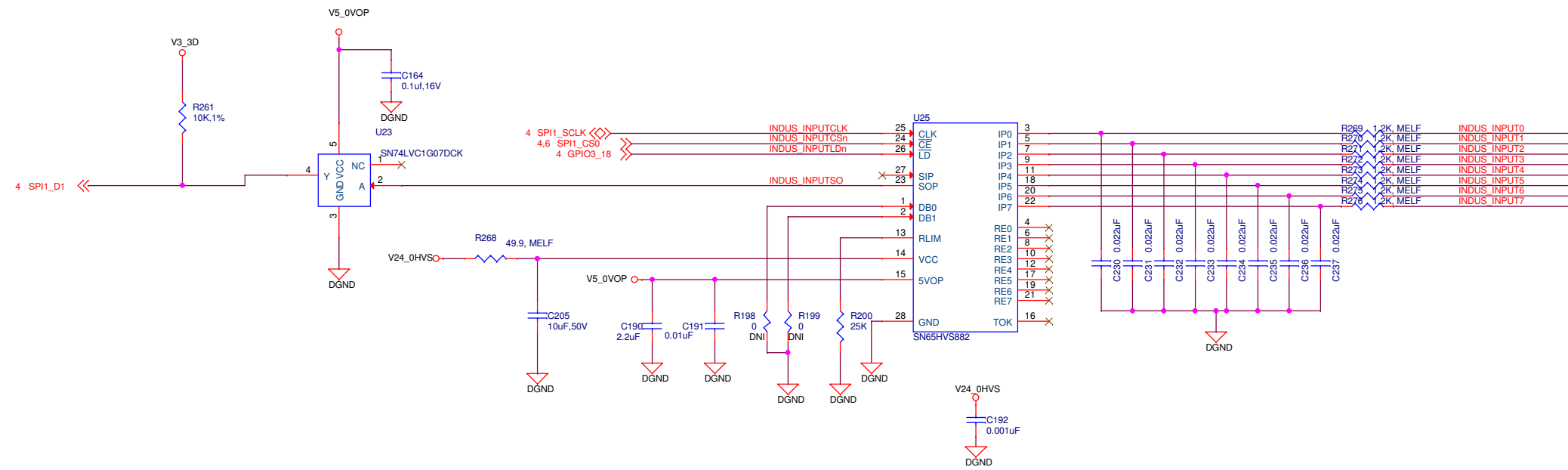


ARM MPU

Texas Instruments, Inc.
 ARM MPU Business Unit
 12500 TI Blvd
 Dallas, TX 75243

AM335X 15X15 ICE BOARD
 JTAG & DEBUG UART

Size	Document Number	Modified By:	Rev
B	AM335X_15X15_ICE.dsn	CCO	A2
Date: Tuesday, December 20, 2011		Sheet: 11 of 14	



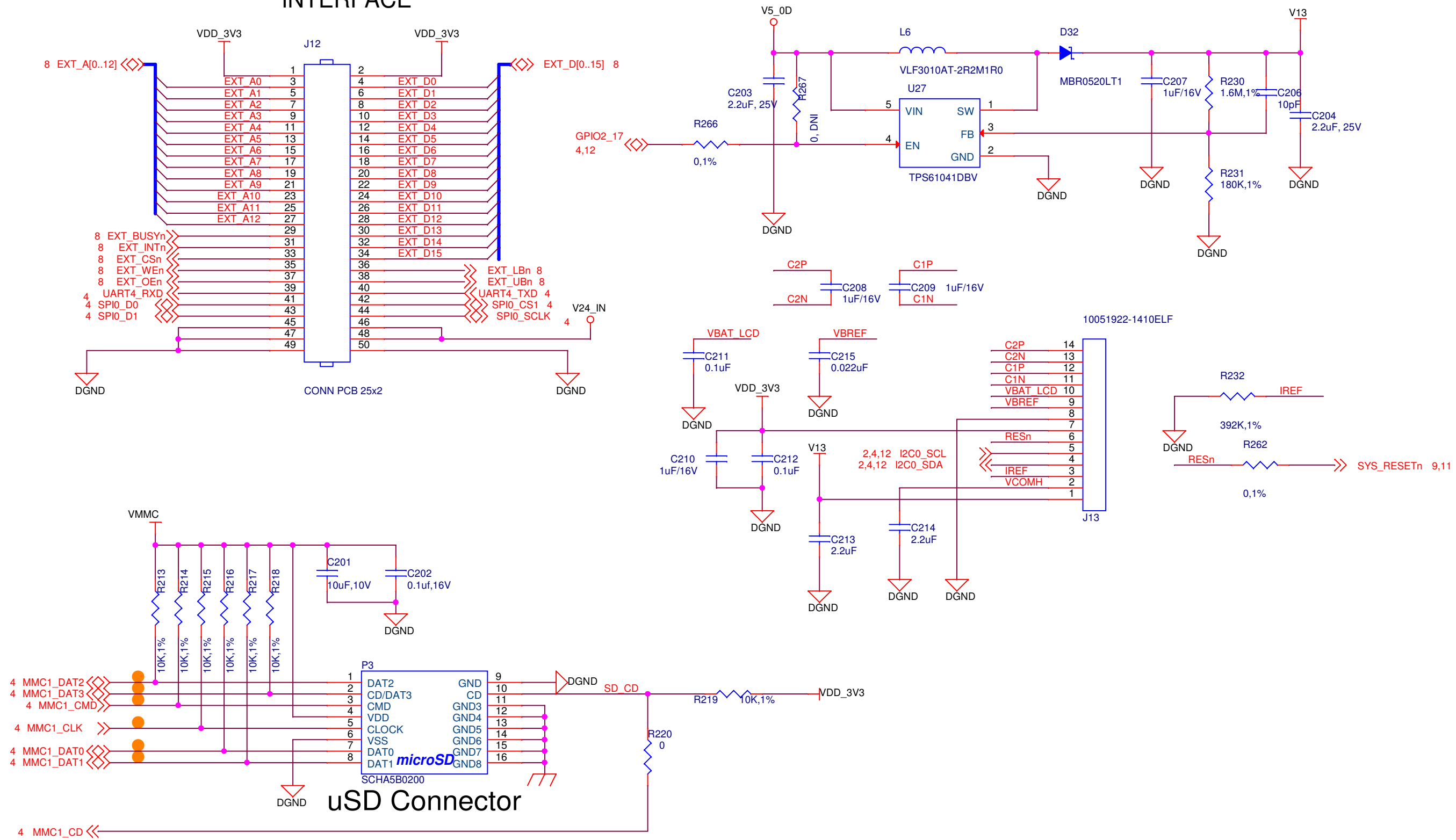
ARM MPU **Texas Instruments, Inc.**

ARM MPU Business Unit
12500 TI Blvd
Dallas, TX 75243

AM335X 15X15 ICE BOARD
Industrial Inputs/Outputs

Size C	Document Number AM335X_15X15_ICE.dsn	Modified By: CCO	Rev A2
Date: Tuesday, December 20, 2011		Sheet: 12 of 14	

HOST INTERFACE



● Signals below the orange dot are to be matched to each other @ +/- 10mils. Run over ground and keep isolated from other signals as much as possible.

ARM MPU	Texas Instruments, Inc.			
	ARM MPU Business Unit 12500 TI Blvd Dallas, TX 75243			
	AM335X 15X15 ICE BOARD			
	EXPANSION			
Size B	Document Number AM335X_15X15_ICE.dsn	Modified By: CCO	Rev A2	
Date: Tuesday, December 20, 2011		Sheet: 13 of 14		